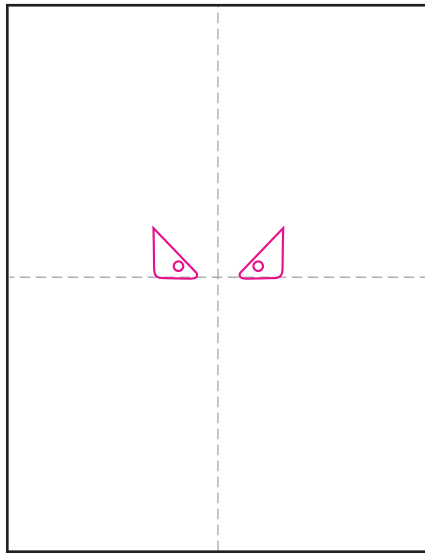




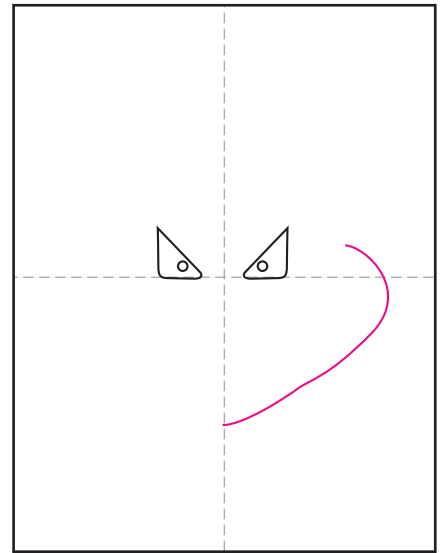
Draw the Grinch



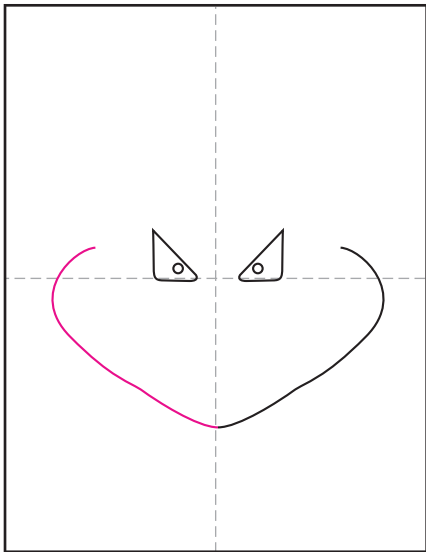
Supplies: Black marker, watercolor.



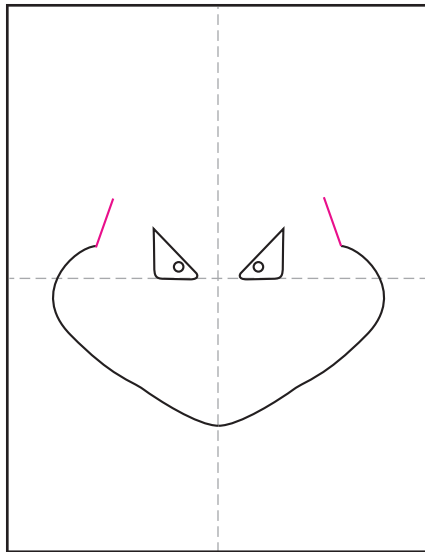
1. Make guide lines. Draw two eyes.



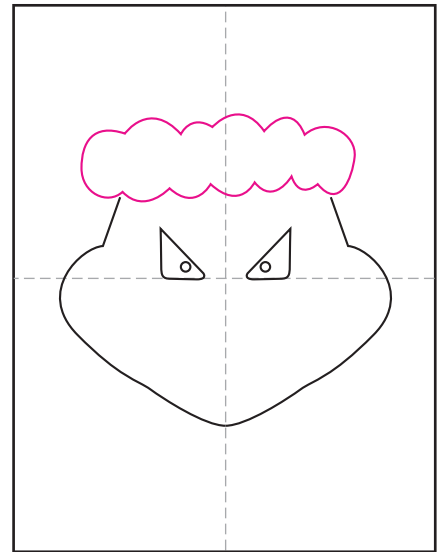
2. Draw right cheek.



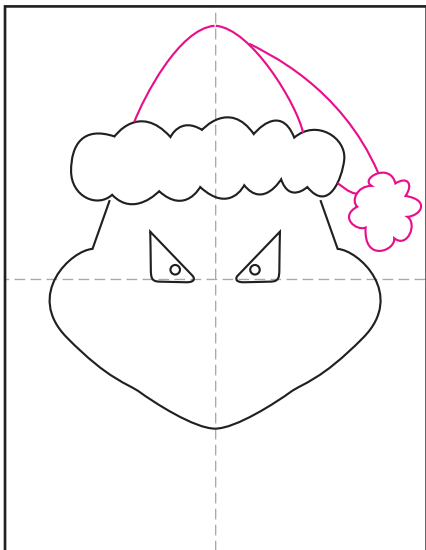
3. Draw matching left cheek.



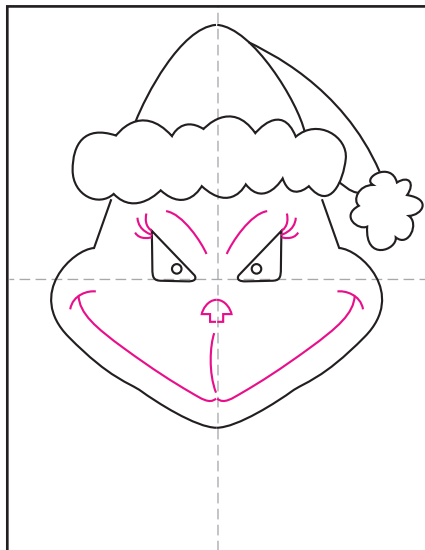
4. Add two temple lines.



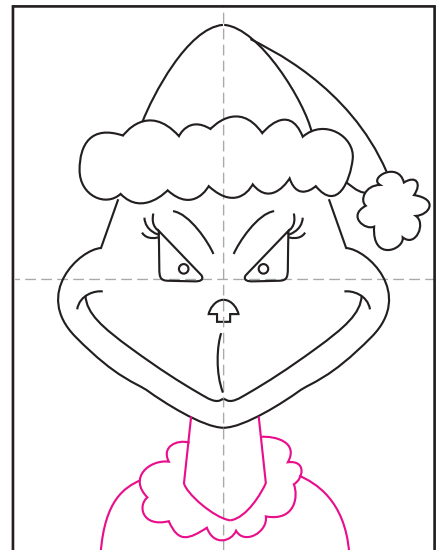
5. Draw the puffy hat brim.



6. Draw the rest of the hat.



7. Add mouth, nose, face details.



8. Draw the neck and shoulders.